



POOL LADDERS

Ladder

- Aqvastar 1.7"/43mm ladders are now supplied with stainless steel anti - slip threads as standard as well as the new Aqvastar 1.7"/43mm pinch anchor provides a secure sturdy installation on all types of pool surround. All 1.7"/43mm ladders are now manufactured in 304 grade stainless steel as standard, 316 grade stainless steel model are available on request with long lead time.
- Suitable for concrete & liner pools
- Ladders comes with Double top threaded steps on overflow & under cover ladder
- Also double thread available as spare for other ladders at extra cost



Club Ladder

Ref. Code	Product Description
ASCL2	2 STEP SS 304 CLUB LADDER
ASCL3	3 STEP SS 304 CLUB LADDER
ASCL4	4 STEP SS 304 CLUB LADDER
ASCL5	5 STEP SS 304 CLUB LADDER



Standard Ladder

Ref. Code	Product Description
ASSTD2	2 STEP SS 304 STANDARD LADDER
ASSTD3	3 STEP SS 304 STANDARD LADDER
ASSTD4	4 STEP SS 304 STANDARD LADDER
ASSTD5	5 STEP SS 304 STANDARD LADDER



Overflow Ladder (First step with double threads)

Ref. Code	Product Description
ASOFF2	2 STEP SS 304 OVERFLOW LADDER
ASOFF3	3 STEP SS 304 OVERFLOW LADDER
ASOFF4	4 STEP SS 304 OVERFLOW LADDER
ASOFF5	5 STEP SS 304 OVERFLOW LADDER



Undercover Ladder (First step with double threads)

Ref. Code	Product Description
ASUCL2	2 STEP SS 304 UNDER COVER LADDER
ASUCL3	3 STEP SS 304 UNDER COVER LADDER
ASUCL4	4 STEP SS 304 UNDER COVER LADDER
ASUCL5	5 STEP SS 304 UNDER COVER LADDER

WHERE TO USE

Standard Ladder : Pool with skimmers

Overflow Ladder : Pool with Overflow channels

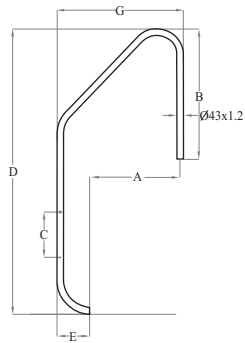
Club Ladder : For both skimmer & overflow channels pools (Placed in pool wall)

Under cover Ladder : For Pool with pool cover comes with a flange connection (To allow pool cover movement smoothly) .



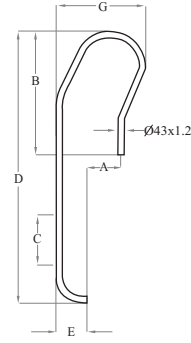
POOL LADDERS

Standard Ladder



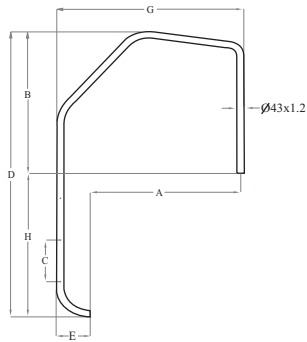
Ref. Code	Steps	A	B	C	D	E	F	G
ASSTD2	2	410	620	250	1300	180	500	610
ASSTD3	3	410	620	250	1550	180	500	610
ASSTD4	4	410	620	250	1800	180	500	610
ASSTD5	5	410	620	250	2050	180	500	610

Club Ladder



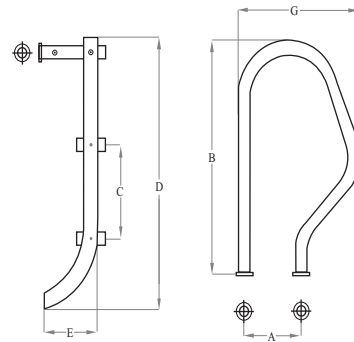
Ref. Code	Steps	A	B	C	D	E	F	G
ASCL2	2	120	620	250	1300	180	500	610
ASCL3	3	120	620	250	1550	180	500	610
ASCL4	4	120	620	250	1800	180	500	610
ASCL5	5	120	620	250	2050	180	500	610

Overflow Ladder



Ref. Code	Steps	A	B	C	D	E	F	G	H
ASOFF2	2	842	680	250	1390	180	500	1060	710
ASOFF3	3	842	680	250	1640	180	500	1060	960
ASOFF4	4	842	680	250	1890	180	500	1060	1210
ASOFF5	5	842	680	250	2140	180	500	1060	1460

Undercover Ladder



Ref. Code	Steps	A	B	C	D	E	F	G
ASUCL2	2	260	800	250	500	180	500	490
ASUCL3	3	260	800	250	750	180	500	490
ASUCL4	4	260	800	250	1000	180	500	490
ASUCL5	5	260	800	250	1250	180	500	490

Dimensions (in mm)

Ladder Steps

