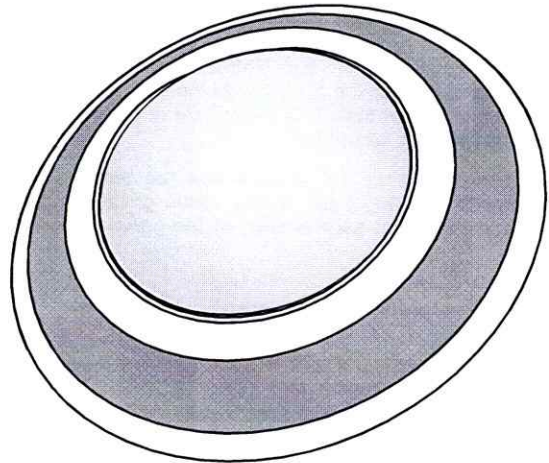




UNDERWATER POOL LIGHT

OWNER'S MANUAL



READ AND FOLLOW SAFETY INSTRUCTIONS!

⚠ This is the safety alert symbol. When you see this symbol in this manual, look for one of the following signal words and be alert to the potential for personal injury.

⚠ DANGER warns about hazards that will cause serious personal injury, death or major property damage if ignored.

⚠ WARNING warns about hazards that can cause serious personal injury, death or major property damage if ignored.

⚠ CAUTION warns about hazards that will or can cause minor personal injury or property damage if ignored.

The label **NOTICE** indicates special instructions which are important but not related to hazards.

Carefully read and follow all safety instructions in this manual and on equipment.

End user should save these instructions.

GENERAL SAFETY!

⚠ WARNING Hazardous voltage. Incorrectly installed or tested equipment may fail, causing severe injury or property damage. Read and follow instructions in owner's manual when installing and operating equipment. Have a trained pool professional perform all tests.

⚠ WARNING Risk of electrical shock. Before removing fixture from pool wall, ALWAYS TURN OFF THE POWER at the breaker.

Install this light and light niche in accordance with Article 680 of the National Electrical Code (NEC), in the United States, or Section 68 of the Canadian Electrical Code (CEC), as applicable, and all local code requirements.

Install an approved Ground Fault Circuit Interrupter in the electrical circuit for this light.

All devices in the system must be directly grounded to a positive electrical ground. All devices in the system must meet all applicable code requirements for bonding.

Installation and maintenance of this circuit, and the light, light niche, and any other accessories attached to the circuit, must be performed by a qualified, licensed electrician.

The complete electrical system must be installed, tested, and approved by a qualified, licensed electrician before it is placed in operation.

⚠ WARNING Burn hazard. Never operate this light fixture for more than 10 seconds unless it is completely submerged in water. This fixture requires total submersion for cooling.

⚠ WARNING Breakage hazard. Install fixture in a vertical pool or spa wall – not in floor. Failure to install the fixture properly

could result in personal injury and/or property damage. Do not push off from the pool side against the light.

Except when the fixture is installed in an area of the swimming pool that is not used for swimming and the lens is adequately guarded to keep any person from contacting it, the fixture shall be installed in or on a wall of the pool, with the top of the lens opening not less than 18" below the normal level of the pool.

The junction box must be located:

- at least 4 feet from the perimeter of the pool (unless separated from the pool by a solid fence, wall or other permanent structure.
- at least 8" above maximum water level.
- at least 4" above the deck or ground level.

Junction boxes should be located off the walkway around the pool and given additional protection by installing them next to a fence, building, or other permanent structure. Make sure that the installation is in compliance with local codes and the NEC or the CEC, as applicable.

The improper use of Ozone generators, Chlorine generators, Copper / Silver Ion generators or certain chemicals for water purification may cause damage to the fixture.

When such water purification methods are used, be sure to monitor the water conditions. Subjecting the fixture to extreme conditions or harsh environments may cause corrosion and premature failure of the fixture or its Components.

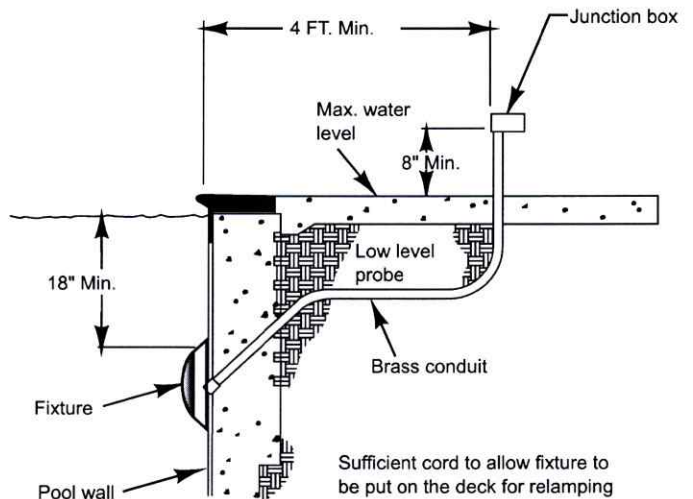


Figure 1 Lamp Housing Installation

INSTALLATION

Lamp Housing Installation

1. Be sure the power is off.
2. Place lamp housing on the deck above the niche. Feed the cord into the niche and through the conduit until the cord reaches the junction box. Make sure that there is enough cord to allow the fixture to be placed on the deck for re-lamping.
3. Make connections in the junction box (be sure to follow code requirements). Connect the supply circuit grounding wire (green, green and yellow, or bare copper) to the green ground conductor

from the light fixture. Connect the line supply wire (the black or 'hot' wire) to the black wire from the light fixture. Connect the neutral (white) supply wire to the neutral (white) wire from the light fixture.

4. Wrap the cord around the lamp housing and place the lamp housing in the niche. Be sure the locator tab on the bottom of the lamp housing is in the notch at the bottom of the niche.
5. Fasten the lamp housing into the niche with the captive leader screw at the top of the fixture (use a No. 2 Phillips screwdriver).

NOTICE: The screw in the face ring may be recessed.

MAINTENANCE

⚠ WARNING **Electrical shock hazard.** Before removing fixture from pool wall, **ALWAYS TURN OFF THE POWER** at the breaker. Installation and maintenance of this circuit, the light, light niche, and any other accessories attached to this circuit must be performed by a licensed electrician. The complete electrical system must be installed, tested, and approved by a licensed electrician before it is placed in operation.

⚠ WARNING Risk of cuts, burns, and electrical shock. Avoid direct impacts on glass lens. Do not install damaged or broken lens.

For Lamps

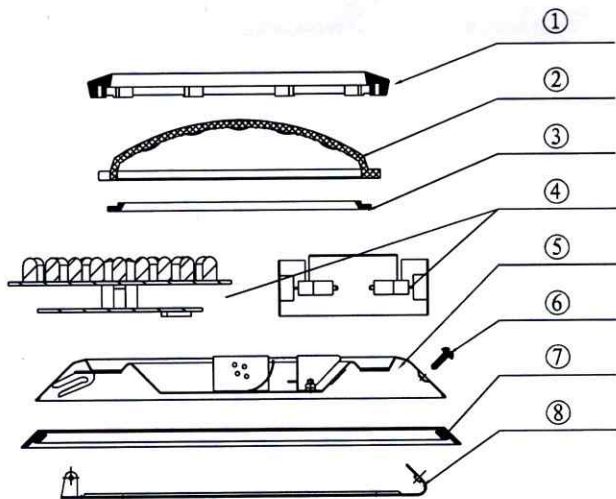
1. Be sure that the power is off. Allow the lamp to cool before re-lamping.

2. Loosen the captive leader screw from the top of the fixture face ring

NOTICE: The screw in the face ring may be recessed.

3. Remove the lamp housing and place on the pool deck.
4. Using a clean soft lint free cloth, carefully wipe all sealing surfaces on the lamp housing and lens. Replace lamp with an equivalent to the original lamp.
5. Replace the gasket.
6. To reassemble the lens assembly to the lamp housing, reverse the disassembly process. Be sure that the lamp housing is clean, dry, and free of all traces of moisture, before sealing the fixture.
7. Wind the extra cord around the lamp housing and place the lamp housing back in the niche. Be sure to align the locator tab at the bottom of the lamp housing with the notch in the bottom of the niche.
8. Fasten the lamp housing into the niche using the captive leader screw at the top of the trim ring.

REPLACEMENT PARTS



Description	
①	Face Ring
②	Lens
③	Gasket
④	Lamp/LED
⑤	Base Plate
⑥	Screws
⑦	Decorative Ring
⑧	Bracket

