

AIR BLOWER

All AQVASTAR units are manufactured in die-cast aluminium alloy, which ensures consistent high quality and productivity. Production costs are minimised due to modular construction.

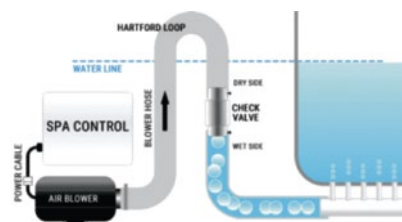
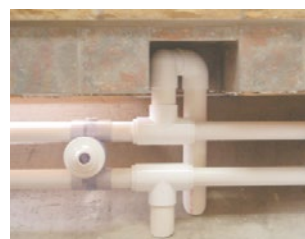
Standard models are directly coupled to electric motors which also manufactured for AQVASTAR. Standard motors are two pole, totally enclosed air cooled, continuous duty rated, IP 55 protected, class F insulation, and meet the CEI 2/3 1988 specification.

AQVASTAR is convinced that minimum cost of ownership is of paramount importance. This is achieved by :

- Using the latest technology in design, manufacturing and testing to achieve maximum performance with minimum energy input.
- Operating a formal quality system to ISO 9001.
- Continuously monitoring prices.
- Never compromising on performance and price.

Air loop

- Setting up air loop is critically important to protect air blower.
- Air loop is extending a section of the air system's plumbing line above the water line (as per picture)



Technical Specification

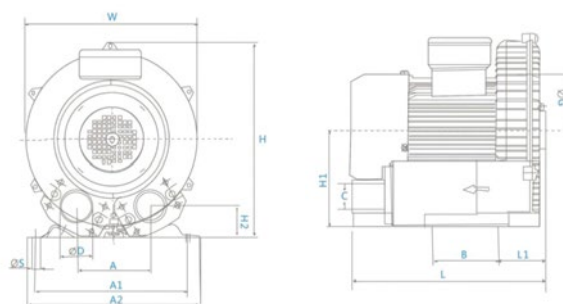
Ref. Code	Voltage V	Current A	Max Pressure Kpa	Max Flow m ³ /h	Max vacuum Kpa	Power kW	Rotational Speed r/min	Noise dB(A)	N.W kg	G.W kg	Packing Size (cm)
ASAB-250	220	2.5(3.0)	12(14)	48(57)	8.5(10)	0.25(0.30)	2800(3400)	<56	10.6	11.2	31*28*28
ASAB-370	220	3.5(4.2)	16(19)	60(70)	11(13)	0.37(0.44)	2800(3400)	<56	11	11.7	31*28*28
ASAB-550	220	4.8(5.76)	20(24)	110(132)	16(19)	0.55(0.66)	2800(3400)	<60	12.6	14.1	32*31*30
ASAB-750	220	6.3(7.56)	22(25)	145(170)	18(20)	0.75(0.90)	2800(3400)	<60	16.5	18.0	35*32*33
ASAB-1100	220	8.7(10.44)	25(30)	210(245)	20(24)	1.1(1.3)	2800(3400)	<60	23	24.7	37*37*38
ASAB-1500	220	11.8(14.16)	26(31)	220(255)	21(25)	1.5(1.8)	2800(3400)	<60	23.4	28	37*37*38
ASAB-2200	220/380	8.52(10.22) 4.92(5.91)	36(43)	325(365)	28(33)	2.2(2.6)	2800(3400)	<70	29	31.5	42*42*42
ASAB-3000S	220/380	11.07(13.29) 6.39(7.67)	37(44)	390(430)	30(35)	3.0(3.6)	2800(3400)	<70	38	43.5	43*44*44
ASAB-7500S	220/380	25.98(34.19) 15(19.74)	45(52)	550(640)	35(42)	7.5(9.0)	2800(3400)	<70	65	74	48*50*52
ASAB-11000S	380	28(38)	75(85)	1050(1200)	40(52)	11(12.5)	2800(3400)	<70	120	135	69*58*61

AIR BLOWER

How it works

An impeller directly coupled to the extended shaft of an electric motor has a large number of short radial blades that are enclosed in a die cast aluminium casing.

- When the impeller rotates, the air between the blades is radially and circumferentially accelerated and forced where it is again radially and circumferentially accelerated.
- The air is transported along a spiral path through the impeller and the side channel until it reaches the discharge port.
- The unit has only one moving part; a carefully balanced rotating impeller.
- There is no contact between the impeller and the housing thus eliminating abrasion and wear.
- The unit is completely oil free and the suction and discharge ports have built in silencers that reduce noise levels to a minimum.
- The pressure and flow rates have a tolerance of $\pm 10\%$.
- Sound-pressure data in accordance to ISO 3746-1979 (E) norms.
- The vacuum curves are valid for pumping air, with a temperature of 30°C at the inlet flange and with a pressure of 1013 mbar at the discharge port.
- The pressure curves are valid for pumping air, with an average temperature of 30°C , a density of $1,23 \text{ kg/m}^3$ and 1013mbar at the inlet flange.



Dimensions (in mm)

Size	L	w	H	H1	H2	A	A1	A2	L1	B	G	D	S	C
Ref.Code											Ø	Ø	Ø	
ASAB-250	260	246	247	120	37	90	205	235	62	83	140	49	8.5	M41
ASAB-370	260	246	247	130	38	90	205	235	62	83	140	49	10	M41
ASAB-550	277	268	272	155	47	93	205	265	66	83	162	49	12	M41
ASAB-750	300	286	302	165	58	111	225	265	80	95	173	50	12	M47
ASAB-1100	325	335	340	190	61.5	115	270	300	30	140	200	60	14	M60
ASAB-1500	325	335	340	190	61.5	115	270	300	30	140	200	60	14	M60
ASAB-2200	377	382	385	192	56	125	290	326	103	140	256	60	14	M60
ASAB-3000	402	408	410	210	56	140	313	345	103	140	256	60	14	M60
ASAB-4000	435	418	470	237	110	143	315	330	113	185	280	76	14	G2.5
ASAB-5500	475	446	480	250	118	148	360	415	100	170	288	76	15	G2.5
ASAB-7500	475	446	480	250	118	148	360	415	100	170	288	76	15	G2.5
ASAB-11000	660	550	570	300	92	207	360	415	89		490	110		G4