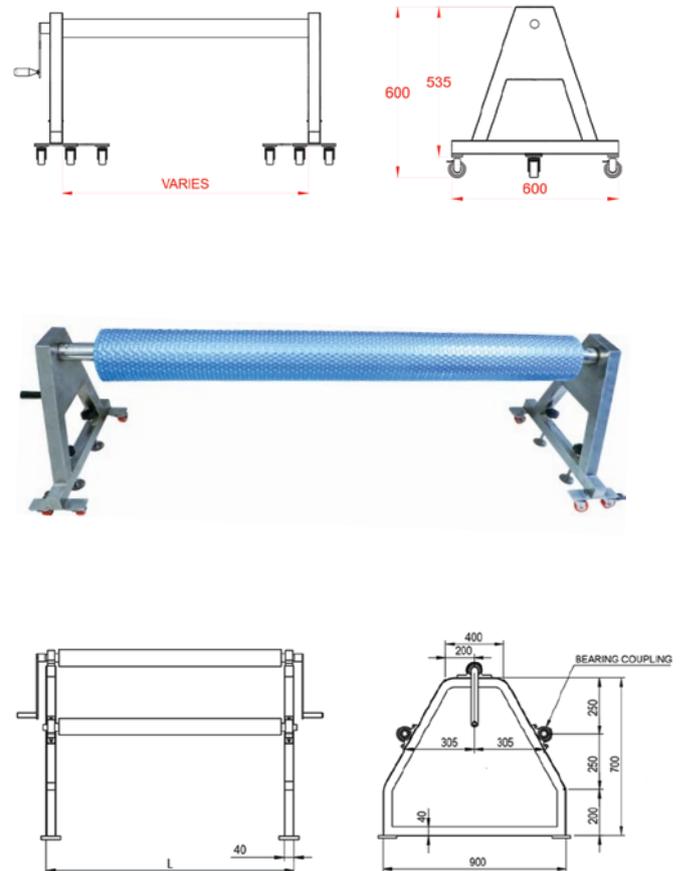


## COVER ROLLER

The Stationary Pool Roller is made from high grade, 316 stainless steel and is ideal for medium pools from 4m wide by 12m long to large pools upto 6.5m wide by 30m long.

### Features

- A frame for stability and ruggedness.
- SS shaft of 63mm dia to hold long length pool cover without deforming.
- Manual single handle with bearing makes the roller handling easy.
- Adjustable screw/ flange to position roller intact.
- 10 heavy duty wheel with lock for easy mobility.
- Ropes & connection kit included.
- SKF bearing for long life & rust free.
- Rugged design ensures no bending or sagging of roller possible due to weight of cover with or without water
- Bottom locking tubes further enhances the quality against sagging.
- Crank Handle allows cover and uncover the pool



Different model with different ability in providing strength when the length & width increases.

Ref. Code	Product Description
ASPCR 412	Aqvastar SS316 Pool Cover Roller suitable for cover sizes upto 4m for a length of pool 12m
ASPCR 520	Aqvastar SS316 Pool Cover Roller suitable for cover sizes upto 5m for a length of pool 20m
ASPCR 630	Aqvastar SS316 Pool Cover Roller suitable for cover sizes upto 6m for a length of pool 30m
ASPCR 6530	Aqvastar SS316 Pool Cover Roller suitable for cover sizes upto 6.5m for a length of pool 30m
ASPCR 630T	Aqvastar SS316 Twin Pool Cover Roller suitable for cover sizes upto 6m for a length of pool 30m (Capable to hold 2 rolls)
ASPCR 630M	Aqvastar SS316 Multi Pool Cover Roller suitable for cover sizes upto 6m for a length of pool 30m (Capable to hold 3 rolls)

