

# PUMPS

## QR Series - Pumps For Private Pools

### Features:

- High efficiency self-priming centrifugal pumps with built-in extra large prefilter.
- Extremely quiet running and great reliability developed for water circulation.
- Pump body, prefilter & pump foot in PP.
- Strainer cover in see through polycarbonate to guarantee constant visibility and easy inspection.
- Pump body with easily removable ergonomic lock ring.
- Diffuser & Impeller in PPO.
- Mechanical seal in SIC.
- Motor casing in die cast aluminum L2521.
- Asynchronous continuous duty 2-pole motor with F class insulation motor and terminal box protection rating: IP55.
- Ball bearings-water-proof, sealed, resistant to water and humidity.
- Standard voltage: Single phase 220-240V 50Hz.
- Liquid temperature range: up to 50°C.
- Maximum ambient temperature: up to 50°C.
- Maximum operating pressure: 2,5 bar.
- Installation: fixed or portable in horizontal position.
- Union connectors with 63/63 mm BS pipe sockets.



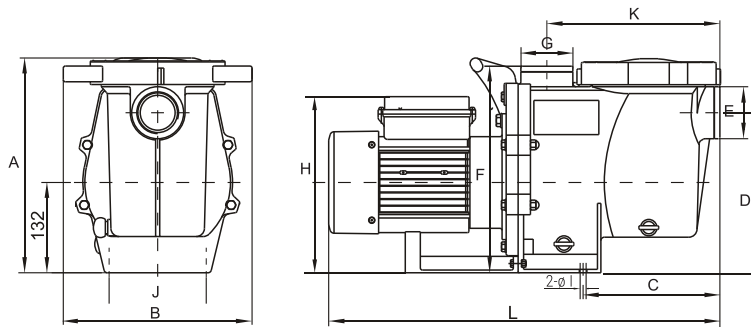
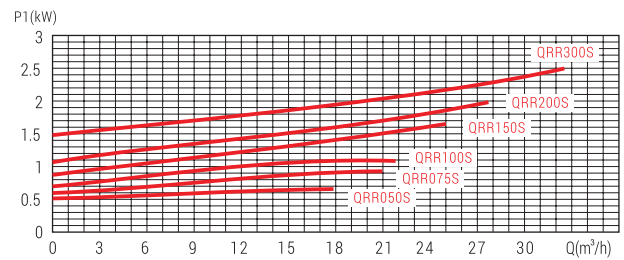
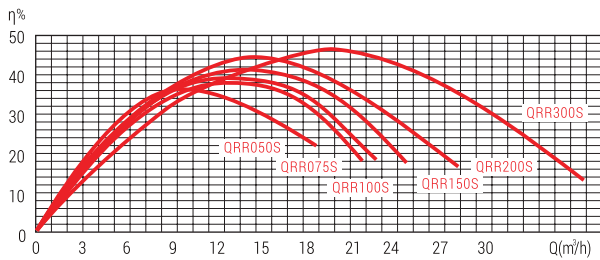
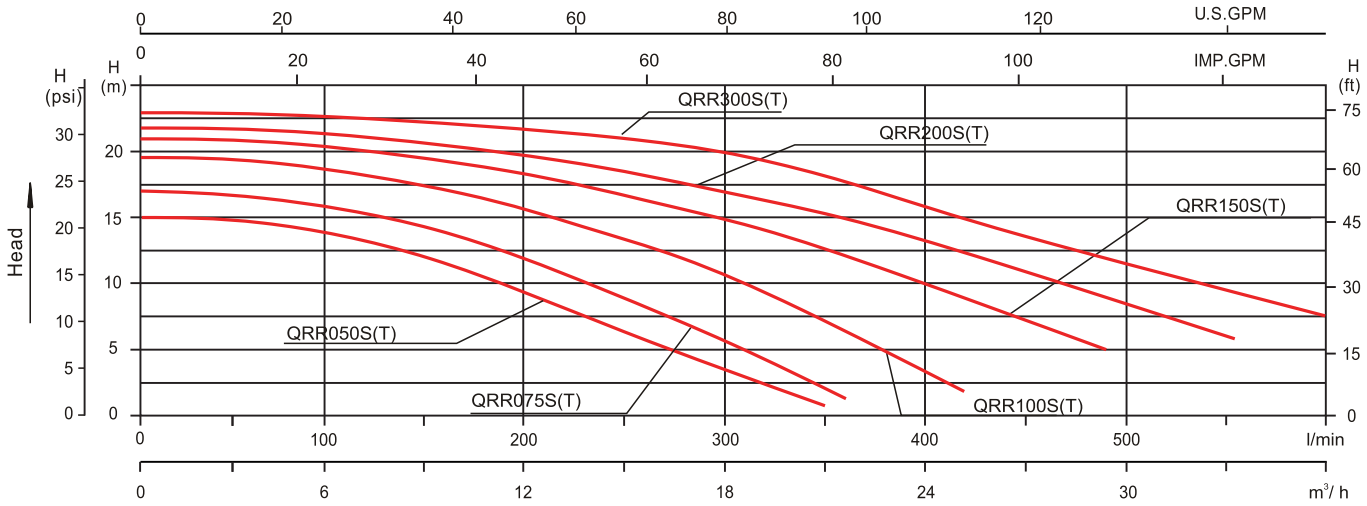
### Technical Specification

Ref. Code	HP	KW	V	A	P1(KW)	Q	L/min M <sup>3</sup> /h	0	50	100	150	200	250	300	350	400	450	500	550		
			1~	1~	1~			0	3	6	9	12	15	18	21	24	27	30	33		
QRR050S	0.50	0.37	220	3.2	0.68	H(m)		12	11.5	11	8.5	7									
QRR075S	0.75	0.55	220	3.8	0.95			17	16.5	15.5	13.5	11.75	8.5								
QRR100S	1.00	0.75	220	5.4	1.15			19	18.5	17.5	16.5	15	13	10.5							
QRR150S	1.50	1.10	220	7.0	1.7			21	20.5	20	19.5	18.5	17	15	12.5	10					
QRR200S	2.00	1.50	220	8.6	2.1			22	21.5	21	20.5	20	19.5	17.5	16.5	14	12	9			
QRR300S	3.00	2.20	220	12	2.6								22	21.5	20	18.5	17	14.5	12.5	10	
QRR300T	3.00	2.20	380	9	2.6									22	21.5	20	18.5	17	14.5	12.5	10

# PUMPS

## QR Series - Pumps For Private Pools

### Performance Curves



### Dimensions (in mm)

Ref. Code	A	B	C	D	E	F	G	H	I	J	K	L
QRR050S	314	276	200	234	63	302	63	243	11.5	142	253	572
QRR075S	314	276	200	234	63	302	63	243	11.5	142	253	572
QRR100S	314	276	200	234	63	302	63	243	11.5	142	253	572
QRR150S	314	276	200	234	63	302	63	246	11.5	142	253	572
QRR200S	314	276	200	234	63	302	63	270	11.5	142	253	582
QRR300S	314	276	200	234	63	302	63	270	11.5	142	253	582
QRR300T	314	276	200	234	63	302	63	270	11.5	142	253	582