

FILTRATION SYSTEM

High Performance Sand Filter - Side Mounted

High performance side mounted sand filters are manufactured with polyster and glass fiber winding for dependable, durable and all weather operation

They are economic, but with impressive performance for private pool and Jacuzzi.

Features:

- UV and corrosion resistant.
- Shell thickness over 6mm.
- Hydraulically balanced umbrella - fold laterals for balanced flow, back washing and easy maintenance.
- Multi-port 6-way valve with lever-action handle comes with quick connect unions.
- Integral sight glass for watching backwash cycle.
- Manometer, air-bleed apparatus for monitoring and varying the pressure of filtration system.
- Sand/water drain for rapid winterizing or servicing.
- Maximum working pressure: 2.5 bar.
(4.0 bar available on request)
- Maximum working temperature: 50 degC
- Product with guarantee for structural integrity & the longevity.

Diagram

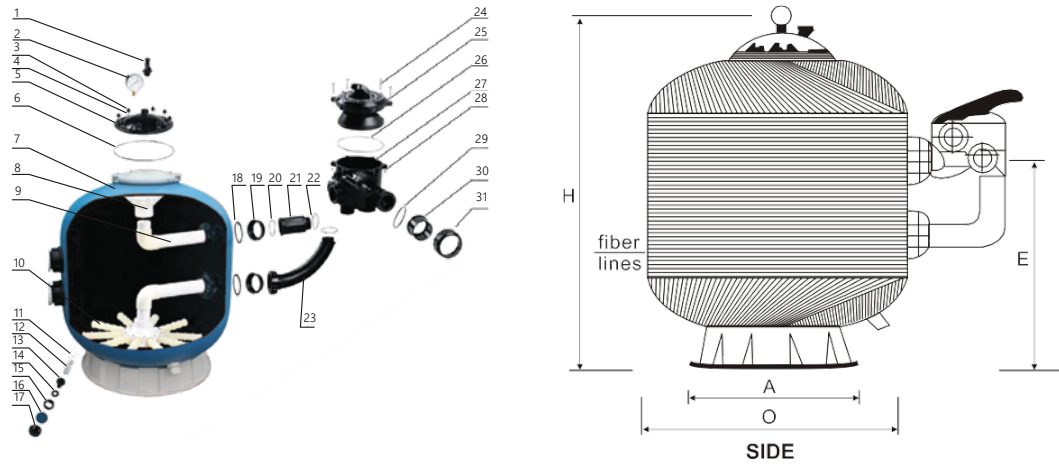
1. Clamp arrangement upto 700mm dia. Nut and bolt arrangement for larger filters.
2. Multiport valve with quick connect unions (BS / ASTM connections)
3. Hydraulically balanced laterals (Inside)
4. Extra strong threaded base



Functions of 6 way (Multi-port) valve

1. Filter	2. Waste	3. Close
4. Backwash	5. Re-circulate	6. Rinse

FILTRATION SYSTEM



Technical Specification

Ref. Code	Diameter (O)	Connection	Flow	Surface Area	Gravel / Sand weight		Pressure	H	A	E
	mm	mm	m ³ /h	m ²	kg		kg/cm ²	mm	mm	mm
AS450S	450	48/50	8.00	0.13	25	60	2.5	665	390	385
AS500S	500	48/50	11.52	0.22	25	75	2.5	712	390	405
AS650S	650	48/50	16.20	0.28	50	140	2.5	810	565	435
AS700S	700	48/50	20.40	0.37	50	190	2.5	880	565	485
AS800S	800	50/63	24.90	0.50	70	250	2.5	1020	790	605
AS900S	900	50/63	33.00	0.64	100	310	2.5	1110	790	650
AS1000S	1000	50/63	39.50	0.79	200	475	2.5	1140	790	680
AS1100S	1100	50/63	48.00	0.95	250	850	2.5	1260	790	835
AS1200S	1200	50/63	56.50	1.13	300	875	2.5	1385	980	800

Filters with 75/90mm flange outlet also available in 1000, 1100, 1200mm diameter with same dimensions
75, 90mm multiport valve available as optional.

Diagram

No.	Description	No.	Description	No.	Description	No.	Description
1.	Air Release Valve	9.	Piping Assembly	17.	Drain cap	25.	Valve Cover
2.	Pressure Gauge	10.	Lateral	18.	Sealed Ring	26.	O Ring
3.	Nut	11.	Cover	19.	Nut	27.	Valve Body
4.	Sealwasher	12.	Drain Lateral	20.	O Ring	28.	Nut
5.	Valve Cover	13.	Pipe	21.	Piping Assembly	29.	O Ring
6.	O Ring	14.	Sealed Ring	22.	O Ring	30.	Pipe
7.	Filter Tank	15.	Nut	23.	Piping Assembly	31.	Nut
8.	Filter	16.	Sealed Ring	24.	Screw		