

LED LIGHTS

Wall Mounted SS Lights with ABS ring

Wall mounted niche less lights are built of stable, heat-resistant plastic materials. This flood lamp has been designed to be used fully submerged it is a class III electric part with low safety voltage & complies with IPX8 degree protection at a normal depth of 2meters. Cross head mount with screws are supplied as part of light to fix in the wall. This light comes with high quality LED bulb, GEL filled for long life of product.

Materials

Housing - SS body with ABS plastic/ SS facia ring
 Gasket - Silicon washer.
 Diffuser - Polycarbonate.
 Power - 12 / 25 / 35 watts

Features:

- Colour - Warm white | Cool white | RGB
- 120 deg Beam angle LED.
- 115 lumens per watt highest in industry.
- Uniform Illumination.
- Long life LEDs up to 50000 working hours.
- 100% Epoxy filled complete sealing.
- Easy installation - these lights can be mounted on all sorts of swimming pool.
- Transformer 230 input/ 12 Volt output.

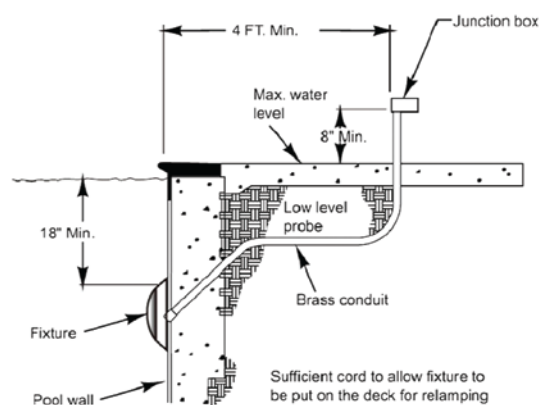
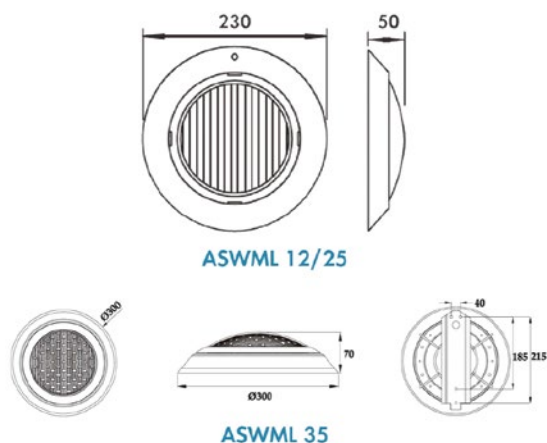


Figure 1 Lamp Housing Installation

Technical Specification

Type	Ref. Code	Wattage	Volt	Dimensions in cm
Wall mounted light with SS Facia Ring - WW	ASWML12WWSS	12	12	23 X 23 X 5
Wall mounted light with SS Facia Ring - CW	ASWML12CWSS	12	12	23 X 23 X 5
Wall mounted light with SS Facia Ring - WW	ASWML25WWSS	25	12	23 X 23 X 5
Wall mounted light with SS Facia Ring - WW	ASWML35WWSS	35	12	30 X 30 X 7
Wall mounted light with SS Facia Ring- RGB	ASWML12RSS	12	12	23 X 23 X 5