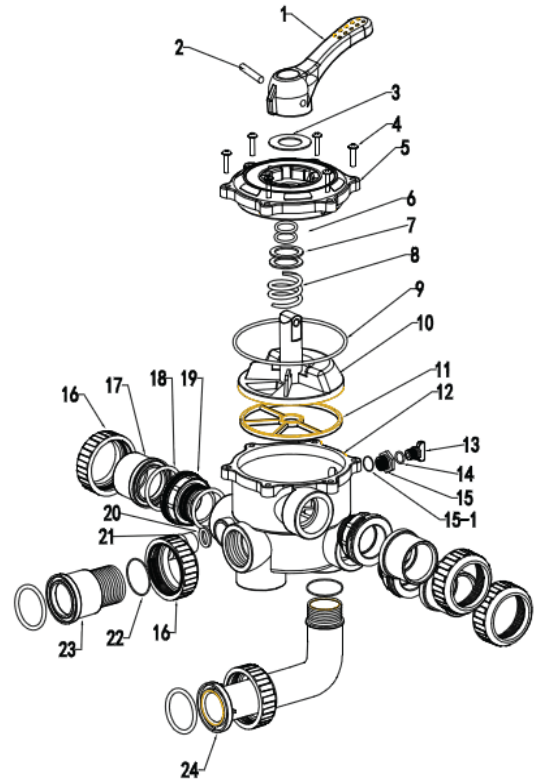


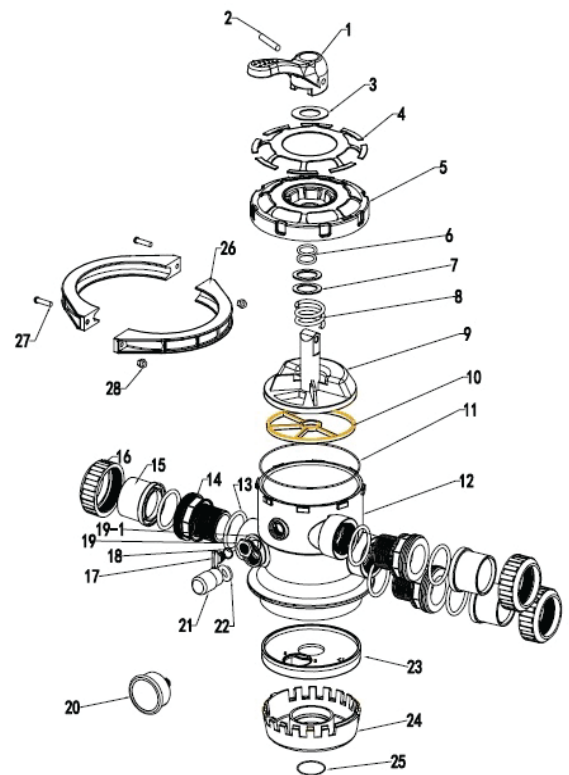
1.5" SIDE MOUNT VALVE SPARES

Item	Code	Description
1	01-0101	Handle
2	01-0104	Pin, handle
3	01-0102	Washer
4	01-0103	Bolt
	01-0112	Nut
5	01-0105	Lid
6	01-0108	O'ring of Rotor
7	01-0106	Washer
8	01-0107	Spring
9	01-0125	O'ring of Lid
10	01-0109	Rotor
11	01-0110	Spider Gasket
12	01-0301	Valve Body
13	01-0119	Plug
14	01-0118	Plug o'ring
15	01-0117	Nut, Plug
15-1	01-0128	O'ring
16	01-0116	Nut
17	01-0115	Adaptor
18	01-0113	O'ring
19	01-0114	Bulkhead Fitting
20	01-0121	Sight glass o'ring
21	01-0120	Sight glass
22	01-0302	O'ring
23	01-0303	Bulkhead Fitting
24	01-0304	Elbow pipe



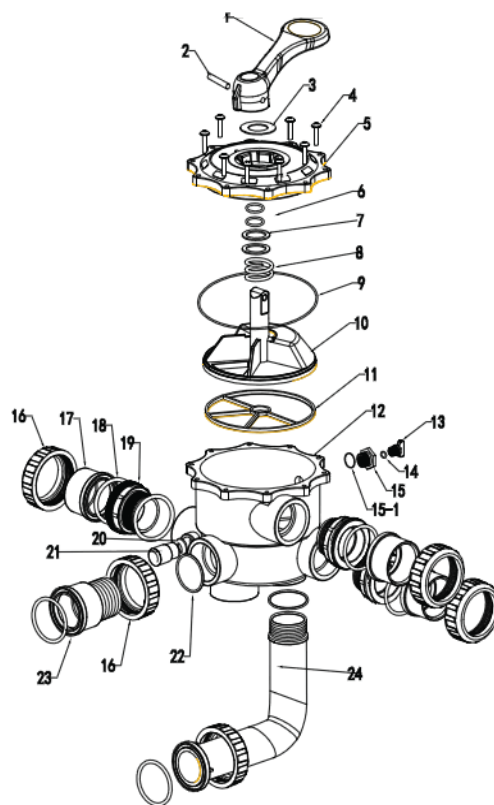
1.5" TOP MOUNT CLAMP TYPE VALVE SPARES

Item	Code	Description
1	01-0101	Handle
2	01-0104	Pin, handle
3	01-0102	Washer
4	01-0501	Decorative cover
5	01-0502	Lid assy
6	01-0108	O'ring of Rotor
7	01-0106	Washer
8	01-0107	Spring
9	01-0109	Rotor
10	01-0110	Spider Gasket
11	01-0128	O'ring of lid
12	01-0503	Valve Body/body-diffuser assy
13	01-0113	O'ring
14	01-0114	Bulkhead Fitting
15	01-0115	adaptor
16	01-0116	Nut
17	01-0117	Plug
18	01-0118	O'ring
19	01-0117	Nut, Plug
19-1	01-0129	O'ring
20	01-0127	Pressure Gauge
21	01-0120	Sight glass
22	01-0121	Sight glass o'ring
23	01-0122	Rotor
24	01-0123	Over drain, diffuser
25	01-0124	O'ring
26	01-0505	Clamp
27	01-0507	Bolt
28	01-0112	Screw



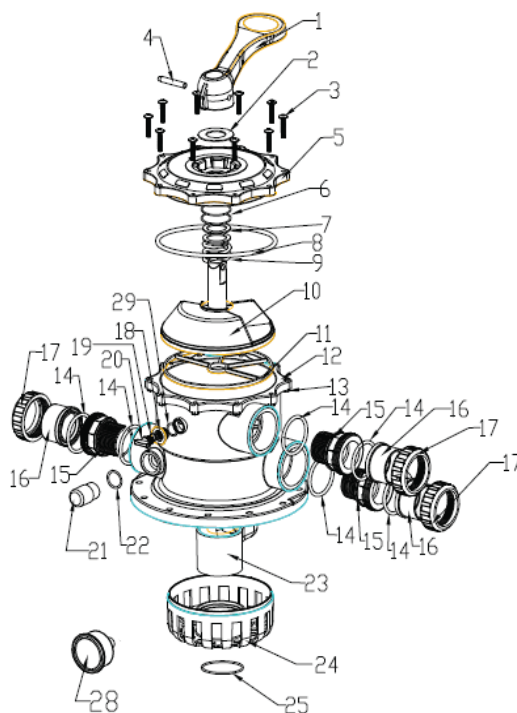
2" SIDE MOUNT VALVE SPARES

Item	Code	Description
1	01-0201	Handle
2	01-0104	Pin, handle
3	01-0102	Washer
4	01-0103	Bolt
	01-0112	Nut
5	01-0202	Lid
6	01-0108	O'ring of Rotor
7	01-0106	Washer
8	01-0107	Spring
9	01-0203	O'ring of Lid
10	01-0204	Rotor
11	01-0205	Spider Gasket
12	01-0401	Valve Body
13	01-0119	Plug
14	01-0118	Plug o'ring
15	01-0117	Nut, Plug
15-1	01-0128	O'ring
16	01-0210	Nut /90°
17	01-0209	Adaptor
18	01-0207	O'ring
19	01-0208	Bulkhead Fitting
20	01-0121	Sight glass o'ring
21	01-0120	Sight glass
22	01-0402	O'ring
23	01-0403	Bulkhead Fitting
24	01-0404	Elbow pipe



2" TOP MOUNT VALVE SPARES

Item	Code	Description
1	01-0201	Handle
2	01-0102	Washer
3	01-0103	Bolt
4	01-0104	Pin, handle
5	01-0202	Lid
6	01-0108	O'ring of Rotor
7	01-0106	Washer
8	01-0203	O'ring of Lid
9	01-0107	Spring
10	01-0204	Rotor
11	01-0205	Spider Gasket
12	01-0206	Valve Body
13	01-0112	Nut
14	01-0207	O'ring
15	01-0208	Bulkhead Fitting
16	01-0209	Adaptor
17	01-0210	Nut
18	01-0117	Nut, Plug
19	01-0118	Plug O'ring
20	01-0119	Plug
21	01-0120	Sight glass
22	01-0121	Sight glass o'ring
23	01-0211	Rotor
24	01-0212	Over drain, diffuser
25	01-0213	O'ring, filter
28	01-0127	Pressure gauge
29	01-0129	O'ring



2.5" SIDE MOUNT VALVE SPARES

Item	Code	Description
1	01-0601	Handle
2	01-0602	Pin, handle
3	01-0603	Larger washer
4	01-0614	M6 SS304 bolt
5	01-0604	Top cover
6	01-0606	Small washer
7	01-0607	Spring
8	01-0605	Top cover o-ring
9	01-0608	O-ring
10	01-0609	Rotor
11	01-0610	Spider gasket
12	01-0616	Valve body
13	01-0611	O-ring for plug
14	01-0612	Plug
15	01-0613	Nut for M6 bolt
16	01-0620	Washer
17	01-0621	Sight glass washer
18	01-0519	2.5"O'ring
19	01-0518	2.5"Adaptor
20	01-0517	2.5"Nut
21	01-0615	PVC pipe 80mm
22	02-0709	Connection Nut
23	02-0707	O'ring
24	01-0622	PVC pipe 80mm/250mm
25	01-0623	2.5"Elbow
26	01-0624	PVC pipe 255mm

