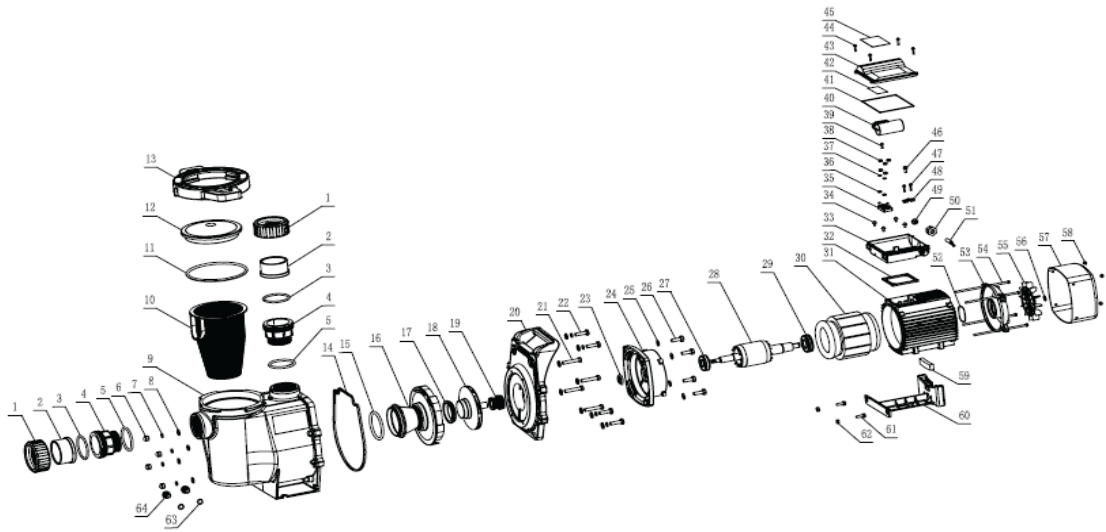


QRR SERIES PUMP SPARES



SI No	Description	Specification	Material
1	Tie in nut	G2	PVC
2	Tie in	Ø60.3	PVC
3	O Ring	d62 x 4.5	NBR
4	Transition Union	Ø60	PVC
5	O Ring	d 54 x 3,5	NBR
6	Acorn nut	M8	SS 304
7	Spring Washer	Ø8	SS304
8	Washer	Ø8	SS304
9	Pump casing		P+GF30
10	Filter		PP
11	O Ring	d 147 X 6	NBR
12	Transparent Cover		PC
13	Gland Cover of transparent cover		PC + GF 25
14	Gasket		NBR
15	O Ring	d 85 x3.5	NBR
16	Guide van assembly		PP + GF30
17	Impeller Activity ring		SANTOPRENE
18	Impeller		PA66+GF31
19	Mechanical Seal	LX-16	CARBON/CERAMIC/NBR
20	Pump Cover		PP+GF30
21	Hexagon Screw	M45	SS304
22	Hexagon Screw	M35	SS304
23	Shaft Seal ring	Ø20	NBR
24	Front Cover		ADC12
25	Washer	Ø10	SS201
26	Hexagon Bolt	M10 X20	SS201
27	Bearing	AC 6205	
28	Rotor Assembly		
29	Bearing	AC 6204	
30	Stator Assembly		

QRR SERIES PUMP SPARES

SI No	Description	Specification	Material
31	Motor Base		ADC12
32	Terminal Box Pad		NBR
33	Bottom Part Of Terminal Box		FLAME RESISTANT ABS
34	Cross Recessed Pan Head Screw And Washer Assemblies	M4 x 10	A3
35	Connection Pole		A3 Melamine A3
36	Serrated Lock washer External Teeth	Ø4	A3
37	Washer	Ø5	A3
38	Hexgonal Bolt	M4	A3
39	Cross Recessed Pan Head Tapping Screw		A3
40	Capacitor	20 µf	
41	O Ring	d140 X 2	NBR
42	Wiring Diagram		STICKER
43	Upper Part Of Terminal Box		FLAME RESISTANT ABS
44	Cross Recessed Pan Head Tapping Screw	3.5 x 13	SS201
45	Name Plate		STICKER
46	Cross Recessed Pan Head Screw And Washer Assemblies	M5 X2	SS201
47	Cross Recessed Pan Head Tapping Screw	ST3.5 x12	A3
48	Cable Pressing Block		NBR
49	Nut Plug For Terminal Box		
50	Terminal Box NUT		FLAME RESISTANT ABS
51	Cable		
52	The Three Wave	D52	65Mn
53	Back Cover		ADC12
54	Hexgonal Bolt	M5x185	A3
55	Fan		PP
56	External Circlip	D14	65Mn
57	Fan Cover		ABS+PC
58	Cross Recessed Pan Head Screw And Washer Assemblies	M4 X8	SS304
59	Plastic Strip		NBR
60	Base		PP+GF30
61	Combination Of Hexgon Head Screw And Washer	M6 x20	SS304
62	Hexgonal Bolt	M6	SS305
63	O Ring	d11.2 x2.4	NBR
64	Drainage Plug		PA66 GF30