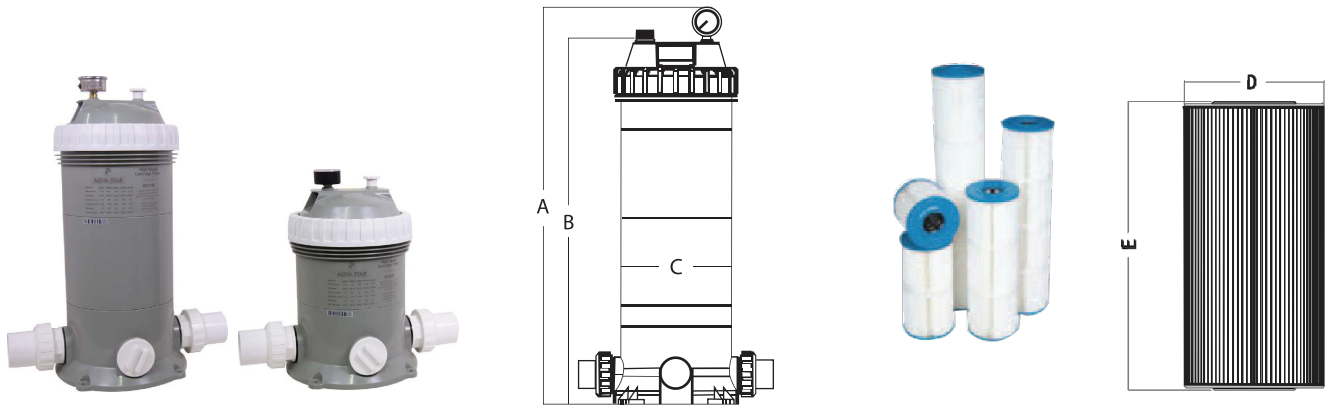


# FILTRATION SYSTEM

## Cartridge Filters



CF - Series cartridge filters are quick and easy to install. Simply connect the piping and the filters are ready to provide you with crystal clear water. The heavy duty ring - lock lid allows easy cleaning and the replacement of the cartridge element. Ideal for confined spaces and they are compact and light weight.

### FEATURES:

- UV resistant tank.
- Heavy duty ring - lock lid allows easy cleaning and replacement of the cartridge element.
- Screw type air bleeder for easy removal of trapped air inside the filter tank.
- High quality oil filled pressure gauge for easy inspection of the operation pressure.
- Suitable for all domestic swimming pool & spa.
- Quick connect barrel union with BS / ASTM connections.

Maximum Working pressure 2.5bar, Maximum Water temperature 40 °C (100 °F)

### CARTRIDGE FILTER ELEMENT FOR AQVASTAR FILTERS

(Dimensions in mm)

### TECHNICAL SPECIFICATION

Ref. Code	Filter area		Dimensions (mm)			Max flow rate		connection (mm)
	(m <sup>2</sup> )	(ft <sup>2</sup> )	A	B	C	lpm	m <sup>3</sup> /hr	
ASCF25	2.25	25	455	387	225	92	5.5	50/63
ASCF50	4.63	50	625	567	225	190	11.4	50/63
ASCF75	7.00	75	805	747	225	283	17.0	50/63
ASCF100	9.40	100	985	927	225	382	22.9	50/63
ASCF150	13.72	150	1165	1107	225	555	33.4	50/63

Ref. Code	Element Code	D	E	Micron*
		mm	mm	
ASCF25	RE012	Ø 183	184.5	≤ 20
ASCF50	RE016	Ø 183	364.5	≤ 20
ASCF75	RE126	Ø 183	544.5	≤ 20
ASCF100	RE144	Ø 183	724.5	≤ 20
ASCF150	RE168	Ø 183	904.5	≤ 20

**Note:** 5 micron cartridge filters are available on request.