

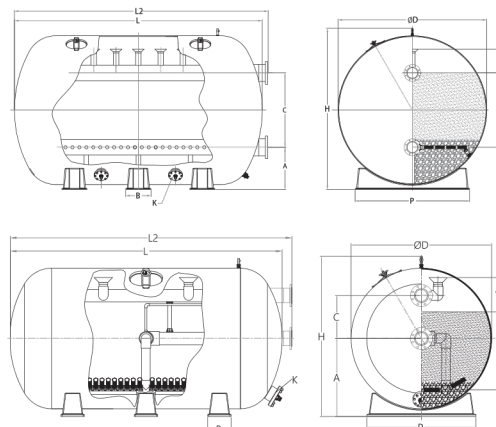
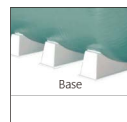
# FILTRATION SYSTEM

## Horizontal Filter

### TANK



### Product Details



### FEATURES:

- It is made of multiple layers of anti-corrosion materials. The outer layer is made of CNC multi-axis fiberglass.
- The internal piping system is uniform and reasonable structure.
- Strong fiberglass base can support the big filter body.
- 100% pressure testing before packing.
- Exclusive features for superior performance.
- Offering attractive and reasonable performance.
- Maximum Working Pressure:  
250kpa / 36psi (2.5 bar)  
400kpa / 58psi (4.0 bar)
- Factory Testing Pressure:  
400kpa / 58psi (4.0 bar)  
600kpa / 86psi (6.0 bar)
- Maximum Temperature: 50 °C (122 °F)
- Size of Gravel:  
1mm ~ 2mm (Gravel Weight)  
0.5mm ~ 0.8mm (Sand Weight)

### DIMENSIONS

Ref.Code	ØD (mm)	H (mm)	A (mm)	B (mm)	C (mm)	K (mm)	P (mm)	L (mm)	L2 (mm)	T (mm)	W (mm)
HL161900	1600	1830	925	300	450	110	1230	1900	2100	950	250
HL162500	1600	1830	925	300	450	110	1230	2500	2700	950	250
HL163000	1600	1830	925	300	450	110	1230	3000	3200	950	250
HL182500	1800	2050	1040	300	550	160	1400	2500	2700	1000	300
HL183000	1800	2050	1040	300	550	160	1400	3000	3200	1000	300
HL183500	1800	2050	1040	300	550	160	1400	3500	3700	1000	300
HL184000	1800	2050	1040	300	550	160	1400	4000	4200	1000	300
HL202500	2000	2220	1090	330	550	160	1490	2500	2730	1100	400
HL203000	2000	2220	1090	330	550	160	1490	3000	3230	1100	400
HL203500	2000	2220	1090	330	550	160	1490	3500	3730	1100	400
HL204000	2000	2220	1090	330	550	160	1490	4000	4230	1100	400
HL204500	2000	2220	1090	330	550	160	1490	4500	4730	1100	400

# FILTRATION SYSTEM

## Horizontal Filter

### TECHNICAL SPECIFICATION

Ref.Code	Filter Diameter (mm)	Filter Height (mm)	Flow rate (m <sup>3</sup> /h/m <sup>2</sup> )	Connections		Design Flow (m <sup>3</sup> /h)	Filter Area (m <sup>2</sup> )	Sand Weight (kg)	Gravel Weight (kg)
				de(mm)	inch				
HL161900	1600	1830	20	110	4"	49	2.47	2800	600
			30	160	6"	74			
			40	160	6"	99			
HL162500	1600	1830	20	110	4"	67	3.36	3800	850
			30	160	6"	101			
			40	160	6"	134			
HL163000	1600	1830	20	160	6"	82	4.10	4700	1050
			30	160	6"	123			
			40	200	8"	164			
HL182500	1800	2050	20	160	6"	75	3.74	4850	980
			30	160	6"	112			
			40	160	6"	150			
HL183000	1800	2050	20	160	6"	92	4.58	5930	1230
			30	160	6"	137			
			40	200	8"	183			
HL183500	1800	2050	20	160	6"	108	5.41	7000	1480
			30	200	8"	162			
			40	200	8"	216			
HL184000	1800	2050	20	160	6"	125	6.25	8080	1700
			30	200	8"	187			
			40	250	10"	250			
HL202500	2000	2220	20	160	6"	87	4.34	6000	1050
			30	160	6"	130			
			40	200	8"	175			
HL203000	2000	2220	20	160	6"	106	5.30	7450	1300
			30	160	6"	159			
			40	200	8"	212			
HL203500	2000	2220	20	160	6"	125	6.25	8900	1550
			30	200	8"	187			
			40	200	8"	250			
HL204000	2000	2220	20	160	6"	144	7.21	10350	1800
			30	200	8"	216			
			40	250	10"	288			
HL204500	2000	2220	20	200	8"	163	8.16	11800	2080
			30	200	8"	245			
			40	250	10"	326			

#### Note:

Diameter of 1200, 1400, 2350, 2500, 3000 mm are available. Technical details & Prices are available on request.