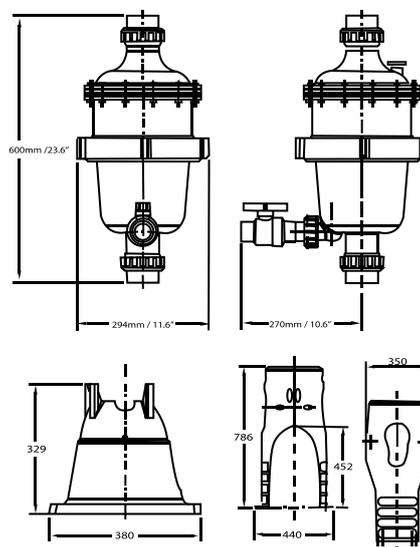


FILTRATION SYSTEM

MultiCyclone Filter



Dimensions (mm/in)



MultiCyclone is a centrifugal filtration device that is capable of saving water and reducing filter maintenance.

The MultiCyclone works on the basis of centrifugal water filtration. There are no moving parts to wear and tear, and no filter media to clean or replace.

FEATURES:

- No filter media to clean or replace
- No moving parts
- Cuts wasteful backwashing
- Reduces filter maintenance
- Suitable for both new and existing installations
- Supplied with both imperial and metric quick connect unions and purge valve
- Applicable to swimming pool, water treatment and aquaculture industries

HOW DOES IT WORK?

- Incoming water enters 16 hydro cyclones tangentially, generating a strong centrifugal effect.
- The sediment is spun out to the hydro cyclone's wall, and then spirals down to the sediment chamber.
- The filtered water migrates towards the center of the hydro cyclone where the flow reverses and spirals upwards through the outlet.
- Accumulation of sediment can be visibly monitored through the MultiCyclone's clear sediment chamber.
- The MultiCyclone is easily cleaned by opening its purge valve. Only 15 litres of water is discharged to cleanse the MultiCyclone.
- There is no filter media to clean or replace.

TECHNICAL SPECIFICATION

Ref. Code	Item Name	Connection	Flow Rate Range m ³ /h	Maximum Pool Volume m ³	Working Pressure BAR
ASMCF16	MultiCyclone 16	2" / 63 mm	3 - 30	80	3.5