

POOL LADDERS

LADDER -

- Aqvastar 1.7"/43mm ladders are now supplied with stainless steel anti - slip threads as standard as well as the new Aqvastar 1.7"/43mm pinch anchor provides a secure sturdy installation on all types of pool surround. All 1.7"/43mm ladders are now manufactured in 304 grade stainless steel as standard, 316 grade stainless steel model are available on request with long lead time.
- Suitable for concrete & liner pools
- Ladders comes with Double top threaded steps on overflow & under cover ladder
- Also double thread available as spare for other ladders at extra cost



CLUB LADDER

Ref. Code	Product Description
ASCL2	2 STEP SS 304 CLUB LADDER
ASCL3	3 STEP SS 304 CLUB LADDER
ASCL4	4 STEP SS 304 CLUB LADDER
ASCL5	5 STEP SS 304 CLUB LADDER



OVERFLOW LADDER (FIRST STEP WITH DOUBLE THREADS-OPTIONAL)

Ref. Code	Product Description
ASOFF2	2 STEP SS 304 OVERFLOW LADDER
ASOFF3	3 STEP SS 304 OVERFLOW LADDER
ASOFF4	4 STEP SS 304 OVERFLOW LADDER
ASOFF5	5 STEP SS 304 OVERFLOW LADDER

WHERE TO USE

- Standard Ladder : Pool with skimmers
 Overflow Ladder : Pool with Overflow channels
 Club Ladder : For both skimmer & overflow channels pools (Placed in pool wall)
 Under cover Ladder : For Pool with pool cover comes with a flange connection (To allow pool cover movement smoothly)



STANDARD LADDER

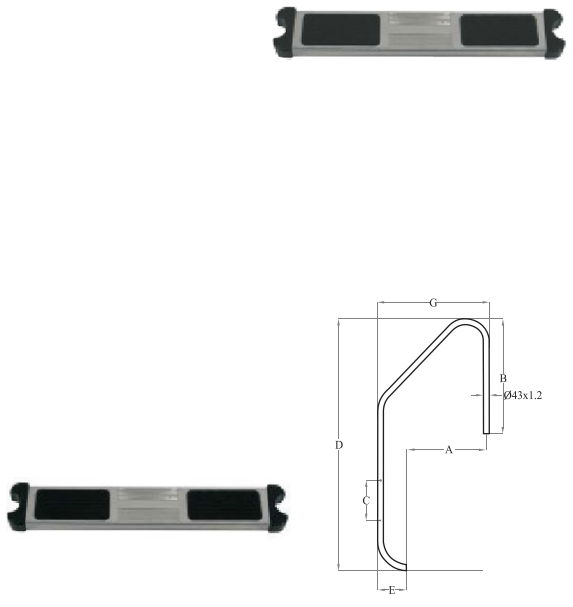
Ref. Code	Product Description
ASSTD2	2 STEP SS 304 STANDARD LADDER
ASSTD3	3 STEP SS 304 STANDARD LADDER
ASSTD4	4 STEP SS 304 STANDARD LADDER
ASSTD5	5 STEP SS 304 STANDARD LADDER



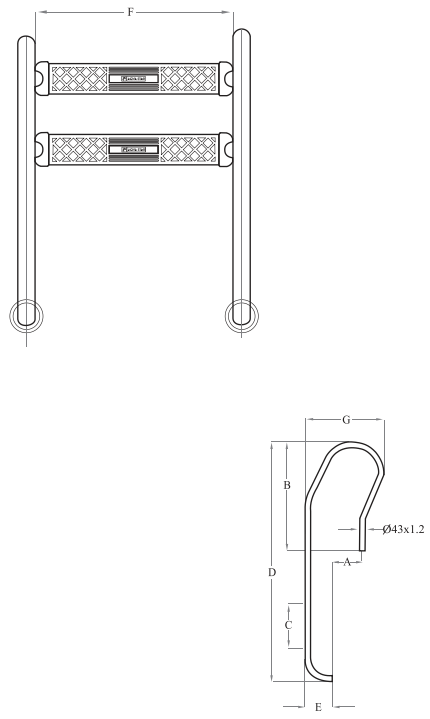
UNDERCOVER LADDER (FIRST STEP WITH DOUBLE THREADS-OPTIONAL)

Ref. Code	Product Description
ASUCL2	2 STEP SS 304 UNDER COVER LADDER
ASUCL3	3 STEP SS 304 UNDER COVER LADDER
ASUCL4	4 STEP SS 304 UNDER COVER LADDER
ASUCL5	5 STEP SS 304 UNDER COVER LADDER

POOL LADDERS



LADDER STEPS

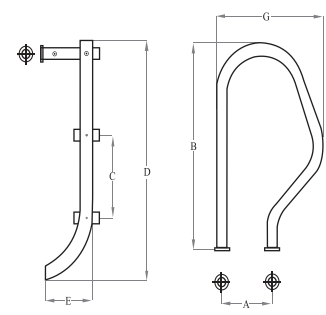
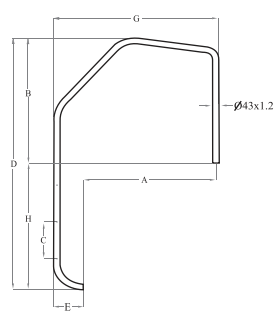


STANDARD LADDER

Ref. Code	Steps	A	B	C	D	E	F	G
ASSTD2	2	510	720	250	1320	200	500	700
ASSTD3	3	510	720	250	1570	200	500	700
ASSTD4	4	510	720	250	1820	200	500	700
ASSTD5	5	510	720	250	2070	200	500	700

CLUB LADDER

Ref. Code	Steps	A	B	C	D	E	F	G
ASCL2	2	160	640	250	1330	200	500	525
ASCL3	3	160	640	250	1580	200	500	525
ASCL4	4	160	640	250	1830	200	500	525
ASCL5	5	160	640	250	2080	200	500	525



OVERFLOW LADDER

Ref. Code	Steps	A	B	C	D	E	F	G	H
ASOFF2	2	842	750	250	1460	200	500	1042	710
ASOFF3	3	842	750	250	1710	200	500	1042	960
ASOFF4	4	842	750	250	1960	200	500	1042	1210
ASOFF5	5	842	750	250	2210	200	500	1042	1460

UNDERCOVER LADDER

Ref. Code	Steps	A	B	C	D	E	F	G
ASUCL2	2	260	800	250	450	200	500	470
ASUCL3	3	260	800	250	710	200	500	470
ASUCL4	4	260	800	250	960	200	500	470
ASUCL5	5	260	800	250	1210	200	500	470

Dimensions (in mm)