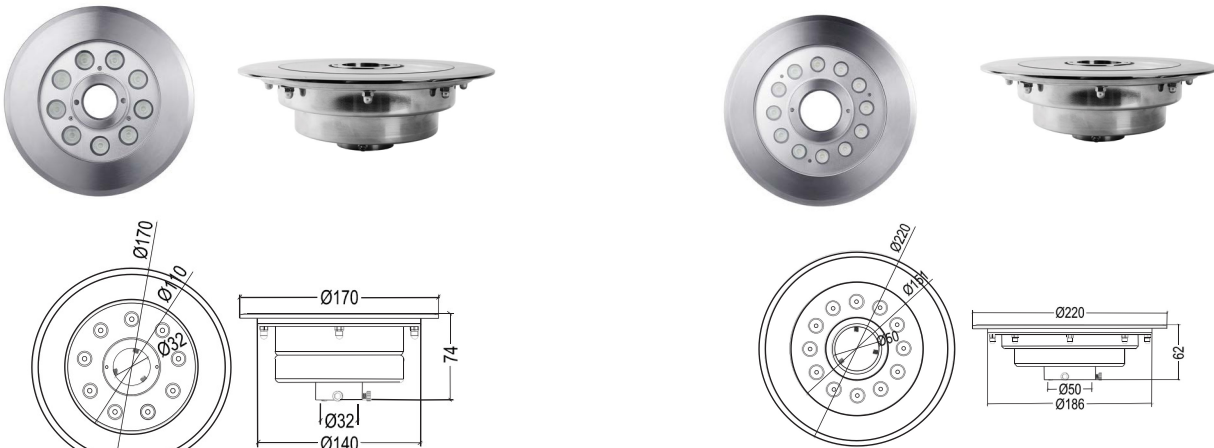


SMART LED LIGHTS

Nozzle Mounted Light






ASRL9SS1

ASRL12SS2

Note: Lights shown here are for illustrative purpose only. Other wattages might vary.

AQVASTAR - All Stainless Steel Pool /Fountain, Nozzle mounted lights are unique in design with unparalleled finish & quality

PRODUCT DETAILS

-  **Body Material**
Stainless steel 316
-  **Lifespan**
≥ 50,000 Hours
-  **Wire**
VDE Certification
-  **Lens Material**
8mm thickness tempered glass
-  **Working Temperature**
-20°C ~40°C
-  **Light Source**
CREE
-  **IP Rating**
IP 68

TECHNICAL SPECIFICATION

Ref. Code	LED Brand	Power Options	Control Options	Voltage	Beam Angle
ASRL3SS1 ASRL6SS1 ASRL9SS1 ASRL12SS1	CREE	3W 6W 9W 12W	Single Color	12V/24V AC/DC	15° 30° 45° 60° 90°
			RGB/RGBW	12V/24V AC	
			RGB/RGBW(4Wires)	12V/24V DC	
		12W(RGBW)	DMX 512	12V/24V DC	
			RGB/RGBW	12V/24V AC	
			RGBW(5Wires)	12V/24V DC	
ASRL9SS2 ASRL12SS2 ASRL18SS2	CREE	9W 12W 18W	Single Color	12V/24V AC/DC	
			RGB/RGBW	12V/24V AC	
			RGB/RGBW(4Wires)	12V/24V DC	
		18W(RGBW)	DMX 512	12V/24V DC	
			RGB/RGBW	12V/24V AC	
			RGBW(5Wires)	12V/24V DC	

Note: Standard Angle is 45° for ring lights. Other details like lumen output available on request.

Suitable size (3 core) of cable use is vital for the performance of the product (For larger pool, pls speak to Aqvastar for technical assistance)