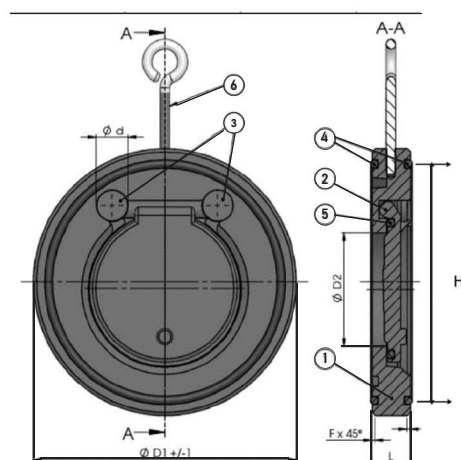


FLOW CONTROL

Wafer check valve



- Disc available in different materials (PVC-U, CPVC, PP-H).
- Up to 10 BAR Pressure rated.
- Ideally suited for flow control using minimal piping space.
- 100% factory tested.
- Minimal pressure drop.
- UPVC grey clip.
- Low maintenance.
- Resistance to many inorganic chemicals.
- Excellent flow characteristics.
- Good mechanical strength.
- One piece PP - GF body.

PARTS LIST

1. Body.
2. Disc.
3. Clip.
4. O-ring body.
5. O-ring disc.
6. Ring bolt.

DIMENSIONS (IN MM)

Ref. Code	Product Details
FCV200	Wafer check valve flanged end 63mm 2" size, BS Std
FCV250	Wafer check valve flanged end 75mm 2 1/2" size, BS Std
FCV300	Wafer check valve flanged end 90mm 3" size, BS Std
FCV400	Wafer check valve flanged end 110mm 4" size, BS Std
FCV600	Wafer check valve flanged end 160mm 6" size, BS Std
FCV800	Wafer check valve flanged end 200mm 8" size, BS Std

SIZE	2"	2 1/2"	3"	4"	6"	8"
$\phi D1 \pm 1$	109	129	144	164	220	275
$\phi D2 \pm 1$	32	40	55	70	110	149
ϕd	12	12	14	20	20	20
$L \pm 1$	20	20	21	23	26	34
H	99	99	114	143	197	197