



AUTOMATIC POOL COVERS

Having installed 1,12,000 slatted covers, Abridblue at Hydra Systems have acquired unrivalled experience in the design and manufacturing of pool slatted covers:

- From the simplest models (MANU) to the most complex models (DIVER)
- From conventional configurations (rectangular pools) to non-standard shapes (lazy, egg-shaped, etc.)
- From the smallest dimensions to the boldest designs (Olympic pools)
- From the most familiar to the most extreme (from the national market to Sweden, to Canada, but also Africa and Japan, etc.)

A team of technicians and engineers work continuously on innovative solutions to better meet your requirements. Supported by validations by specialised firms, the solutions retained are tried and tested, reliable and provide true added value to the products. Whether this concerns easy installations and use, improving performances or the aesthetics.

Experts in exceptional slatted covers due to their dimensions (up to 25 x 50 m) or their configurations (pool bottom, displaced slatted covers), our team of technicians is at your side to study solutions adapted to your requirements and assist you at every stage of the project.

TWO MAJOR MODELS

Above water

- For Existing Pools & New Pools.
- Installed above water & in deck area.
- Visible Outside.
- Once rolled, the rolled portion comes inside pool for 200 mm.
- Comes with wooden covers(BANC model) for covering the entire arrangement (optional).



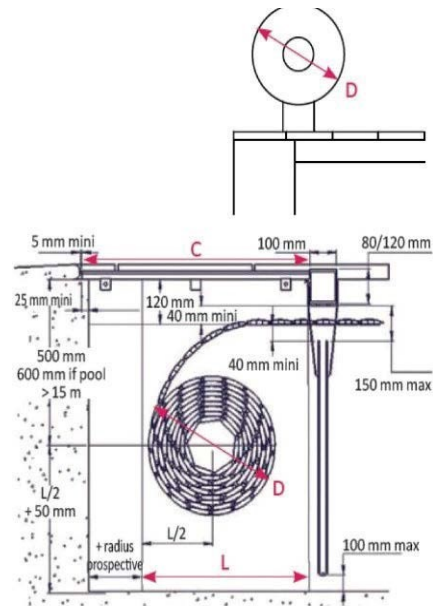
SUBMERGED

- For new pools or replacement only
- Installed under the water (Submerged)
- Non visible from outside.
- 3 Models.

Comes with horizontal and vertical walls to protect cover arrangement. Different installation options available.

Diameter of the slat roll according to the swimming pool length
Dimensions of the submerged technical pit(DIVER, see specific focus)

(Diameter 200 mm roller shafts)	D (mm)	Pit		Decking	
		L (mm)	P (mm)	C (mm)	CP (mm)
4	420	500	775	505	Standard 800 (for 775 pit)
5	440	500		525	
6	460	520		545	
7	480	540		565	
8	500	560		585	
9	530	590		615	
10	560	620		645	
11	580	640		665	
12	590	650		675	
13	620	680		900	
14	640	700	725		
15	660	720	745		
16	680	740	765		
17	700	760	975	785	Made-to-measure 1000 (for 975 pit)
18	720	780		805	
19	740	800		850	
20	790	850		875	
25	830	890		925	



D = Roller diameter including the shaft.

L = Minimum technical pit width for functional gap.

P = Abridblue recommendation for standard pit width.

C = Minimum duckboard length over the technical pit with sharp angles, for non-standard production.

CP = Standard duckboards according to recommendations "P" with Abridblue partition wall.

