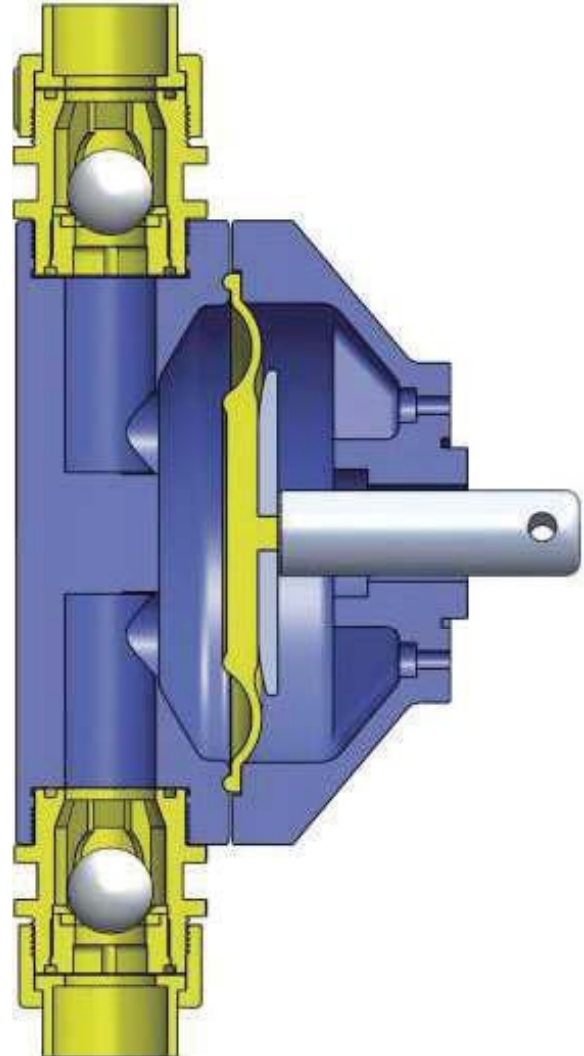


Working Principle

The diaphragm type metering pump uses a diaphragm to replace the piston, realizes reciprocating motion under the action of the driving mechanism, and completes the pump for the suction and discharge processes.

Features

- No moving seal, no leakage.
- It can transport high viscosity media, abrasive pastes and hazardous chemicals.
- Cast aluminum housing, high heat dissipation and light overall weight.
- The diaphragm is pressed into a multi-layer composite structure, the first layer of super tough Teflon acid-resistant film, the second layer of EPDM elastic rubber, the third layer of thickness 3mm SUS304 supporting iron core, the fourth layer is reinforced with nylon fiber reinforcement, the fifth layer It is fully packaged with EPDM elastic rubber, which can effectively improve the service life of the diaphragm.
- The pressure is generally less than 1.2Mpa.



Pump Head Configuration According To Different Applications



PVC



SS304/316



PVDF/PTFE

OPTIONAL

DOSING PUMPS

JLM - Solenoid Metering Pump

Features

- Wear-free solenoid driving with no bearing.
- Adjustment both by stroke length and stroke speed.
- Intelligent LED display the stroke speed in percentage.
- **Power:** 220V 50~60Hz.
- **Material:** PVC; PVDF; SS304; SS316
- **Optional:** PVDF Head



Material Construction

Material	PVC
Diaphragm	PTFE
Valve Body	PVC
Valve Ball	Ceramic
Valve Seat	PTFE
O Ring	Viton

Technical Specification

Code	Flow (LPH)	Pressure (BAR)	Flow (GPH)	Pressure (PSI)	SPM	Diaphragm (mm)	Power (W)	Connection
JLM0110	1.0	10	0.26	145	80	34	30	5*8mm PE hose
JLM0210	2.0	10	0.52	145	140			
JLM0408	4.0	8.0	1.0	116	180			
JLM0505	5.0	5.0	1.3	73	140	41		
JLM0804	8.0	4.0	2.1	58	170	52		
JLM1003	10	3.0	2.6	44	130			
JLM1203	12	3.0	3.1	44	150			
JLM1502	15	2.0	3.9	29	160			
JLM2001	20	1.0	5.2	15	180			

Note: In product code, first two digits represent the flow rate in LPH, and the last two digits represent the pressure in bar

DOSING PUMPS

JBB-Mechanical Diaphragm Metering Pump

Features

- **Flow range:** 15-150LPH@50Hz/18-180LPH@60Hz
- **Pressure range:** 4-10 Bar
- **Power:** 380V/220V @50Hz on standard, others on request, DC12V or 24V is available
- **Material:** PVC; PVDF; SS304; SS316; PTFE
- **Optional:** PVDF Head



Technical Specification

Code	50Hz			60Hz			Pressure		Diaphragm (mm)	Power (W)
	Flow (LPH)	Flow (GPH)	SPM	Flow (GPH)	Flow (LPH)	SPM	BAR	PSI		
JBB15/1.0	15	3.9	100	4.7	18	120	10	145	60	60W
JBB25/1.0	25	6.6		7.9	30		10	145		
JBB40/0.7	40	10	150	12	48	180	7	102		
JBB60/0.6	60	60	100	19	72	120	6	87	84	
JBB80/0.5	80	21		25	96		5	73		
JBB100/0.4	100	26	150	32	120	180	4	58		
JBB130/0.4	130	34		41	156		4	58		
JBB150/0.3	150	39		47	180		3	43		

Connection

Code	PVC	PVDF/PTFE	SS304/316
JBB15-JBB40	6*9 mm hose	RC1/2" F	10*16mm welding union
JBB60-JBB150	DN15 glue union	RC1/2" F	

10*14mm hose connection is also optional for JBB60-JBB150.

Note: In product code, first two digits represent the flow rate in LPH, and the last two digits represent the pressure in bar